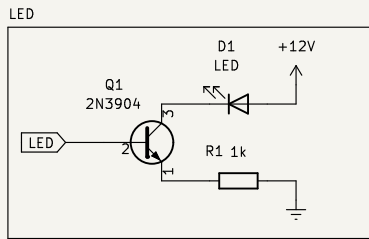
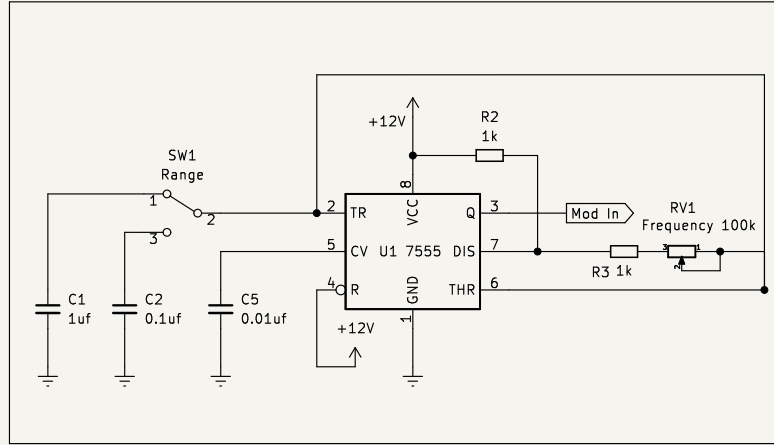
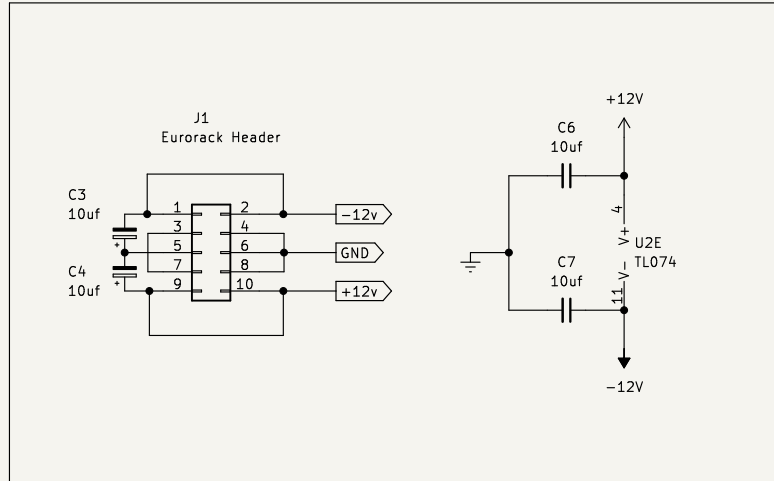


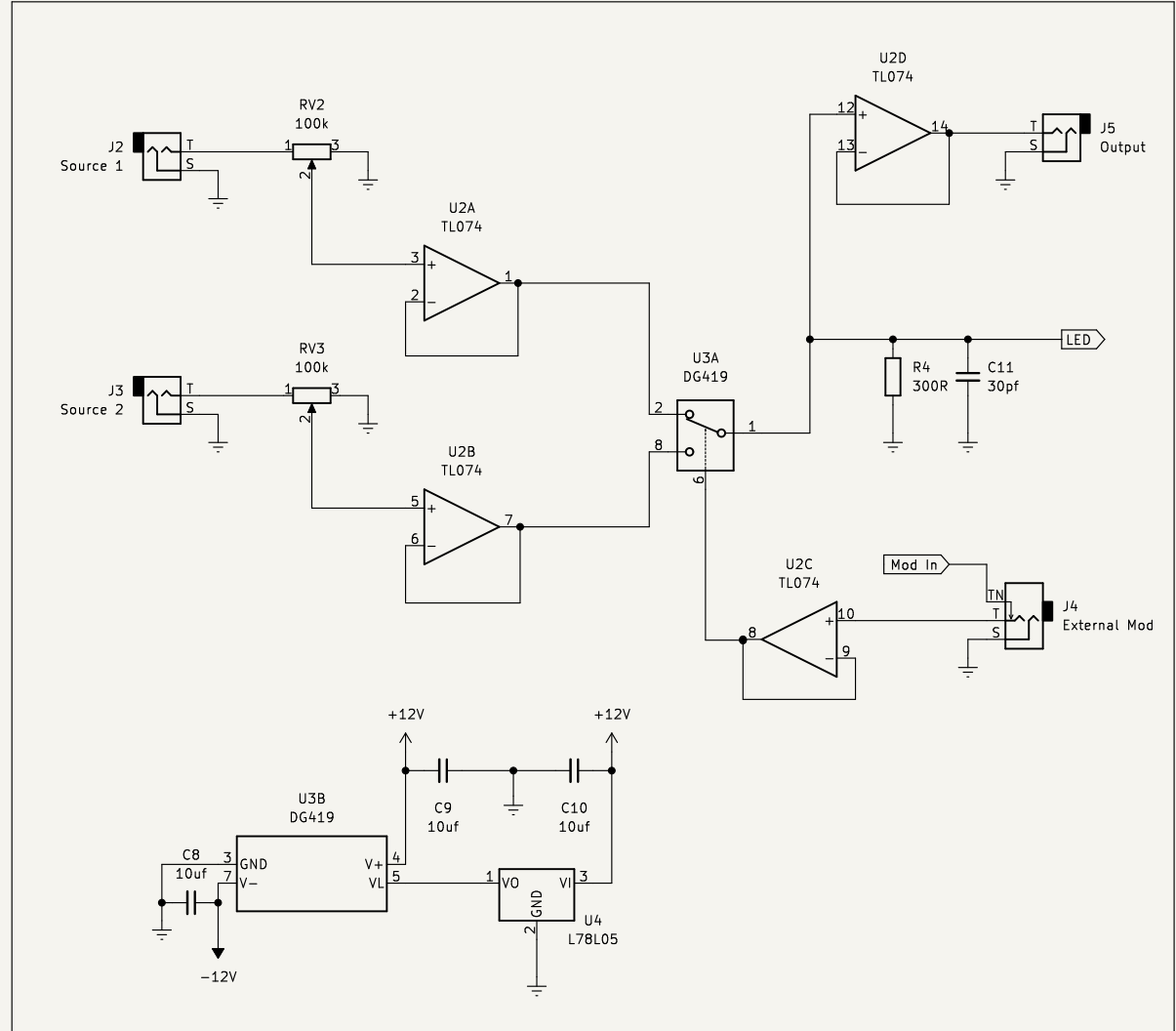
Modulation Oscillator



Power



Core IO



Two sounds enter; one sound leaves

Mechlab Industries

Sheet: /

File: Thunderdome.kicad_sch

Title: Thunderdome

Size: A4 | Date: 2022-12-06

KiCad E.D.A. kicad (6.0.9)

Rev: 1.0

Id: 1/5